

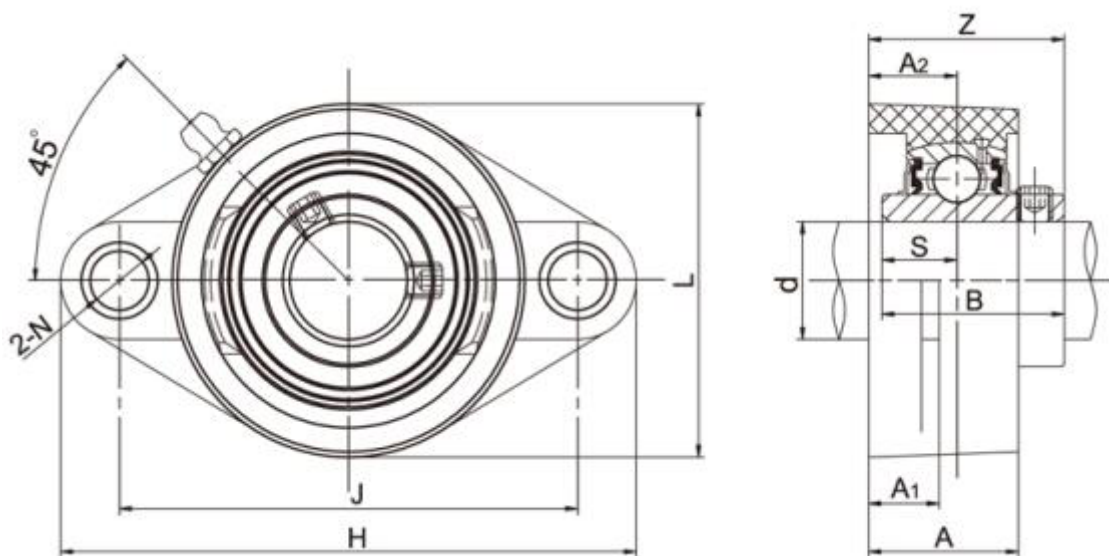
Data Sheet



Article number: 54810642011

Description: 2 hole Flange Unit TP-SUCFL201 for shaft $\varnothing 12\text{mm}$
Insert stainless steel, housing Thermoplastic black

Measures



A	= -	L	= -
A1	= -	N	= -
A2	= -	S	= -
B	= -	Z	= -
Bolt	= -		
d	= -		
H	= -		
J	= -		